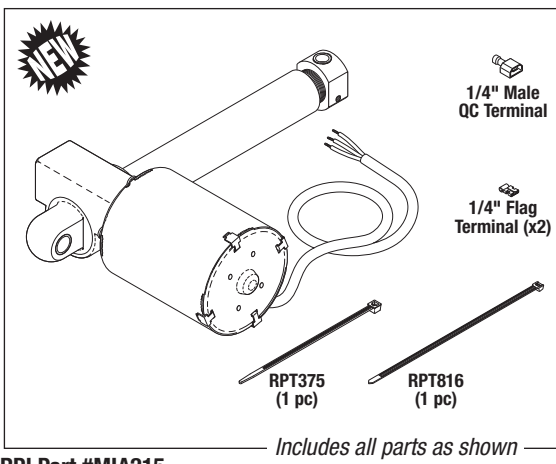


# ACTUATORS & CAPACITORS

## to fit Midmark® 411 (75L), 413 & 419 Tables

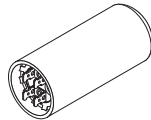
**FOOT ACTUATOR & CAPACITOR**



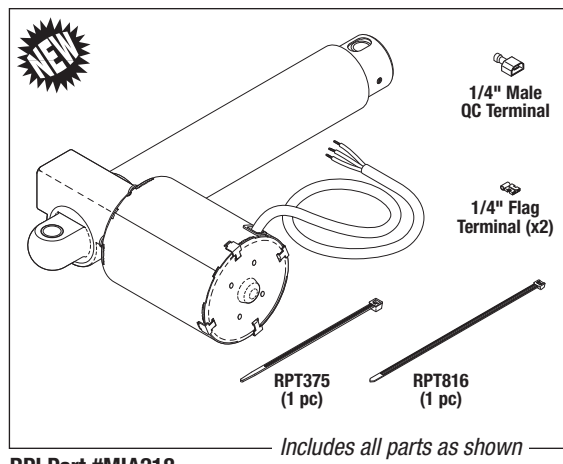
RPI Part #MIA215  
 OEM Part #002-0495-00  
**ACTUATOR (FOOT)** 2.7A @ 115VAC  
 Models: 411 (see chart on back for serial #'s this part fits)

*Just need the Capacitor?*

**CAPACITOR**  
 RPI Part #MIC182  
 OEM Part #015-0437-04  
 Models: 411 & 419  
 (see chart on back for serial #'s this part fits)



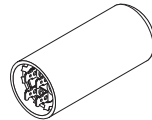
**TILT ACTUATOR & CAPACITOR**



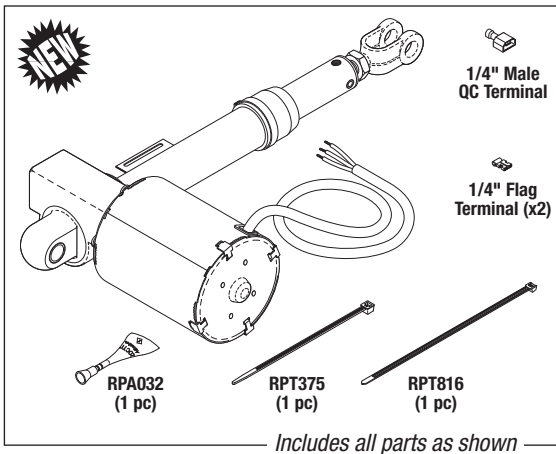
RPI Part #MIA218  
 OEM Part #002-0498-00  
**ACTUATOR (TILT)** 2.7A @ 115VAC  
 Models: 411 (see chart on back for serial #'s this part fits)

*Just need the Capacitor?*

**CAPACITOR**  
 RPI Part #MIC219  
 OEM Part #015-0437-02  
 Models: 411  
 (see chart on back for serial #'s this part fits)



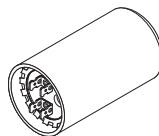
**BACK ACTUATOR & CAPACITOR**



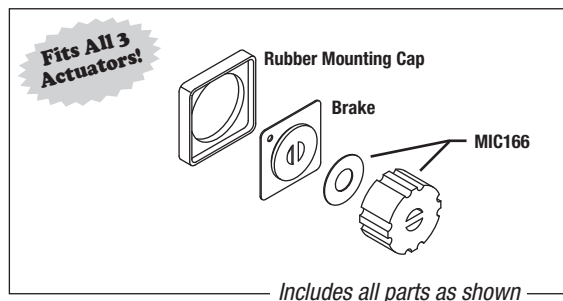
RPI Part #MIA216  
 OEM Part #002-0496-00  
**ACTUATOR (BACK)** 2.7A @ 115VAC  
 Models: 411 (see chart on back for serial #'s this part fits)

*Just need the Capacitor?*

**CAPACITOR**  
 RPI Part #MIC183  
 OEM Part #015-0437-03  
 Models: 411, 413 & 419  
 (see chart on back for serial #'s this part fits)

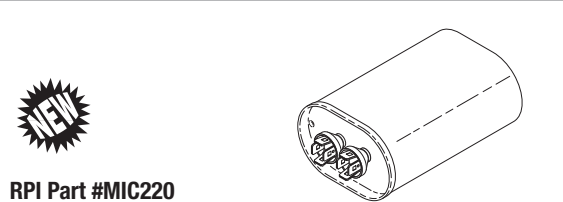


**FITS ALL THREE ACTUATORS**



RPI Part #MIK167  
 OEM Part #016-0237-00 (Brake only)  
**BRAKE & COUPLER KIT**  
 Models: 411 & 419 (see chart on back for serial #'s this part fits)

**BASE CAPACITOR**



RPI Part #MIC220  
 OEM Part #015-0723-03  
**CAPACITOR**  
 Models: 411 (see chart on back for serial #'s this part fits)



**replacement parts industries, inc.**






CALL (800) 221-9723 • FAX (818) 882-7028 • EMAIL [order@rpiparts.com](mailto:order@rpiparts.com) • WEBSITE [www.rpiparts.com](http://www.rpiparts.com)

The above parts are manufactured by Replacement Parts Industries, Inc. to fit Midmark®/Ritter® equipment. All product names used in this document are trademarks or registered trademarks of their respective holders. Flyer Code 1602MI WEBSITE ONLY 05/16

# Tables & Chairs (Exam/Surgical)

Models: 411 (75L), 413 & 419

## ACTUATORS & CAPACITORS to fit Midmark® 411 (75L), 413 & 419 Tables

RPI Part #	OEM Part #	DESCRIPTION	Fits Models and Serial Numbers
 MIA215	002-0495-00	ACTUATOR (FOOT)	<b>411 (75L)-009 and -010:</b> Serial # prefixes FA & FB <b>411 (75L)-011 thru -018:</b> Serial # prefixes GT, GV, JX, JY & LS
 MIA216	002-0496-00	ACTUATOR (BACK)	<b>411 (75L)-009 and -010:</b> Serial # prefixes FA & FB <b>411 (75L)-011 thru -018:</b> Serial # prefixes GT, GV, JX, JY & LS
 MIA218	002-0498-00	ACTUATOR (TILT)	<b>411 (75L)-009 and -010:</b> Serial # prefixes FA & FB <b>411 (75L)-011 thru -018:</b> Serial # prefixes GT, GV, JX, JY & LS
MIC182	015-0437-04	CAPACITOR	<b>411-001 thru -008:</b> Serial # prefixes AV, DJ & DW <b>411 (75L)-009 and -010:</b> Serial # prefixes FA & FB <b>411 (75L)-011 thru -018:</b> Serial # prefixes GT, GV, JX, JY & LS <b>419-001 and -002:</b> Serial # prefix AY <b>419-003 thru -006:</b> Serial # prefixes LM, LN & V
MIC183	015-0437-03	CAPACITOR	<b>411-001 thru -008:</b> Serial # prefixes AV, DJ & DW <b>411 (75L)-009 and -010:</b> Serial # prefixes FA & FB <b>411 (75L)-011 thru -018:</b> Serial # prefixes GT, GV, JX, JY & LS <b>413-001 thru -004:</b> Serial # prefixes BK, DT, FH & V <b>419-001 and -002:</b> Serial # prefix AY <b>419-003 thru -006:</b> Serial # prefixes LM, LN & V
 MIC219	015-0437-02	CAPACITOR	<b>411 (75L)-009 and -010:</b> Serial # prefixes FA & FB <b>411 (75L)-011 thru -018:</b> Serial # prefixes GT, GV, JX, JY & LS
 MIC220	015-0723-03	CAPACITOR	<b>411 (75L)-009 and -010:</b> Serial # prefixes FA & FB <b>411 (75L)-011 thru -018:</b> Serial # prefixes GT, GV, JX, JY & LS
MIK167	016-0237-00 (Brake only)	BRAKE & COUPLER KIT	<b>411-001 thru -008:</b> Serial # prefixes AV & DJ <b>411 (75L)-009 and -010:</b> All Serial Numbers <b>411 (75L)-011 thru -018:</b> All Serial Number <b>419-001 and -008:</b> Serial # prefixes AV & DJ