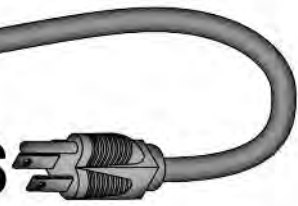


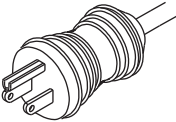
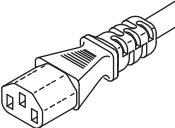
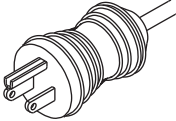
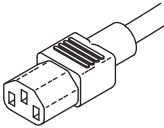
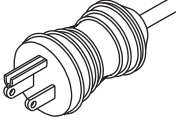
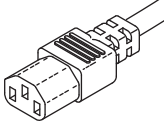
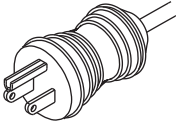
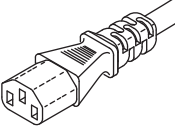
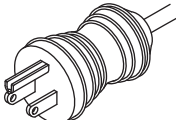
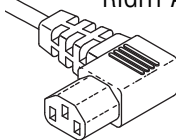
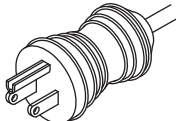
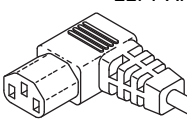
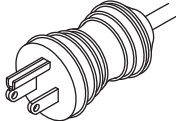
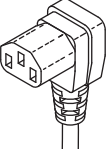


Introducing more new

Hospital Grade Power Cords



GENERAL SHOP AIDS

RPI PART #	LENGTH	DESCRIPTION	PLUG TYPE	CONNECTOR TYPE	COLOR / GRADE
RPC260	10 ft.	HOSPITAL GRADE POWER CORD 14/3 SJT 15A@125V	NEMA 5-15P 	EN60320-C13 	GRAY HOSPITAL GRADE
RPC554	8 ft.	HOSPITAL GRADE POWER CORD 14/3 SJT 15A@125V	NEMA 5-15P 	EN60320-C13 	GRAY HOSPITAL GRADE
RPC555	18 ft.	HOSPITAL GRADE POWER CORD 14/3 SJT 15A@125V	NEMA 5-15P 	EN60320-C13 	GRAY HOSPITAL GRADE
RPC556	25 ft.	HOSPITAL GRADE POWER CORD 14/3 SJT 15A@125V	NEMA 5-15P 	EN60320-C13 	GRAY HOSPITAL GRADE
* RPC770 * RPC772 * RPC774	8 ft. 18 ft. 25 ft.	HOSPITAL GRADE POWER CORD 14/3 SJT 15A@125VAC	NEMA 5-15P 	EN60320-C13R RIGHT ANGLE 	GRAY HOSPITAL GRADE
* RPC771 * RPC773 * RPC775	8 ft. 18 ft. 25 ft.	HOSPITAL GRADE POWER CORD 14/3 SJT 15A@125VAC	NEMA 5-15P 	EN60320-C13L LEFT ANGLE 	GRAY HOSPITAL GRADE
* RPC776	8 ft.	HOSPITAL GRADE POWER CORD 14/3 SJT 15A@125VAC	NEMA 5-15P 	EN60320-C13D DOWN ANGLE 	GRAY HOSPITAL GRADE

HOSPITAL GRADE

More Hospital Grade Power Cords on page 2 →



replacement parts industries, inc.

CALL (800) 221-9723 • FAX (818) 882-7028 • EMAIL order@rpiparts.com • WEBSITE www.rpiparts.com

The above parts are manufactured by Replacement Parts Industries, Inc. to fit the equipment listed. All product names used in this document are trademarks or registered trademarks of their respective holders. Show 07/11

SECTION
6

PAGE
302A

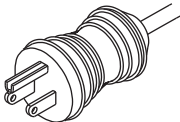
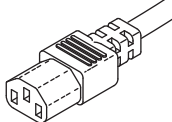
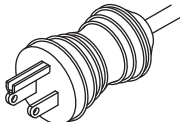
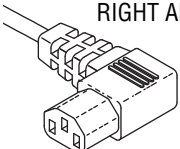
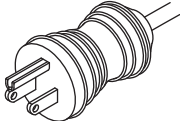
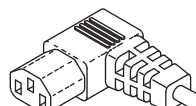
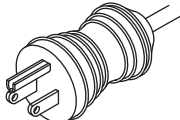
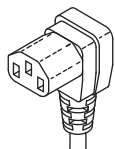
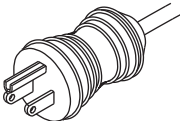

UPDATED
07/11

General Shop Aids

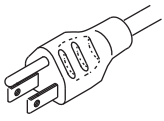
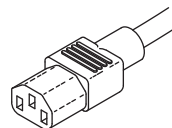
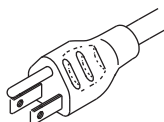
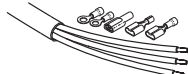
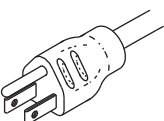
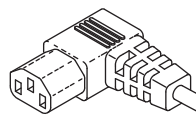
Electrical (Power Cords) - continued



HOSPITAL GRADE - continued

RPI PART #	LENGTH	DESCRIPTION	PLUG TYPE	CONNECTOR TYPE	COLOR / GRADE
RPC557 RPC558 RPC559	8 ft. 18 ft. 25 ft.	HOSPITAL GRADE POWER CORD 16/3 SJT 13A@125V	NEMA 5-15P 	EN60320-C13 	GRAY HOSPITAL GRADE
RPC778 RPC780 RPC782 RPC784 RPC786	1.5 ft. 3 ft. 8 ft. 18 ft. 25 ft.	HOSPITAL GRADE POWER CORD 16/3 SJT 13A@125VAC	NEMA 5-15P 	EN60320-C13R RIGHT ANGLE 	GRAY HOSPITAL GRADE
RPC779 RPC781 RPC783 RPC785 RPC787	1.5 ft. 3 ft. 8 ft. 18 ft. 25 ft.	HOSPITAL GRADE POWER CORD 16/3 SJT 13A@125VAC	NEMA 5-15P 	EN60320-C13L LEFT ANGLE 	GRAY HOSPITAL GRADE
RPC788	8 ft.	HOSPITAL GRADE POWER CORD 16/3 SJT 13A@125VAC	NEMA 5-15P 	EN60320-C13D DOWN ANGLE 	GRAY HOSPITAL GRADE
RPC028	10 ft.	HOSPITAL GRADE POWER CORD 18/3 SJT 10A@125V	NEMA 5-15P 	NONE  .328" OD CORD	GRAY HOSPITAL GRADE

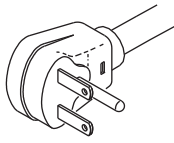
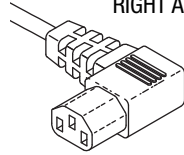
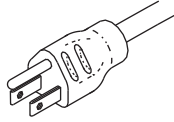
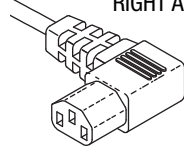
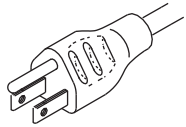
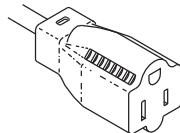
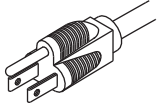
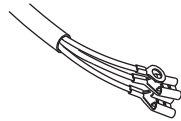
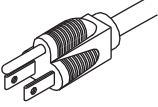
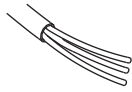
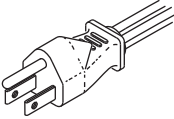
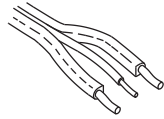
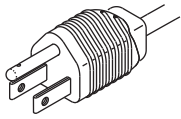
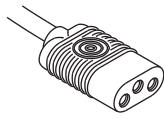
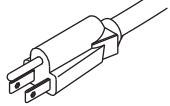
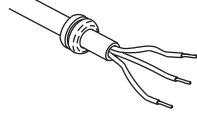
INDUSTRIAL GRADE

RPI PART #	LENGTH	DESCRIPTION	PLUG TYPE	CONNECTOR TYPE	COLOR / GRADE
RPC262	10 ft.	POWER CORD 14/3 SJT 15A@125V	NEMA 5-15P 	EN60320-C13 	BLACK INDUSTRIAL GRADE
RPC288	7 ft.	POWER CORD 14/3 SJT 15A@125V	NEMA 5-15P 	WITH TERMINALS  .378" OD CORD	BLACK INDUSTRIAL GRADE
RPC291	6 ft.	POWER CORD 14/3 SJT 15A@125V	NEMA 5-15P 	EN60320-C13L LEFT ANGLE 	BLACK INDUSTRIAL GRADE

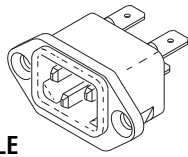
More Industrial Grade Power Cords on page 3 →



INDUSTRIAL GRADE - continued

RPI PART #	LENGTH	DESCRIPTION	PLUG TYPE	CONNECTOR TYPE	COLOR / GRADE
RPC582	12 ft.	POWER CORD 14/3 SJT 15A@220V	NEMA 6-15P 	EN60320-C13R RIGHT ANGLE 	BLACK INDUSTRIAL GRADE
TUC028	12 ft.	POWER CORD 14/3 SJT 15A@125V	NEMA 5-15P 	EN60320-C13R RIGHT ANGLE 	BLACK INDUSTRIAL GRADE
BUC018	8 ft.	POWER CORD 16/3 SJT 13A@125V	NEMA 5-15P 	NEMA 5-15R 	BLACK INDUSTRIAL GRADE
PCC003	8 ft.	POWER CORD 16/3 HSJO 15A@125V	NEMA 5-15P 	WITH TERMINALS  .350" OD CORD	BLACK INDUSTRIAL GRADE
PCC004	8 ft.	POWER CORD 16/3 HSJO 15A@125V	NEMA 5-15P 	NONE  .350" OD CORD	BLACK INDUSTRIAL GRADE
RPC274	6 ft.	POWER CORD 16/3 SPT-2 13A@125V	NEMA 5-15P 	NONE  .158" x .380" FLAT CORD	BLACK INDUSTRIAL GRADE
BUC017	8 ft.	POWER CORD 18/3 SJT 7A@125V	NEMA 5-15P 	BMI-3 	GRAY INDUSTRIAL GRADE
CAC015	8 ft.	POWER CORD 18/3 SJTW 10A@125V	NEMA 5-15P 	NONE  .328" OD CORD	BLACK INDUSTRIAL GRADE

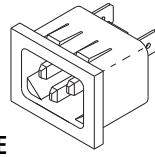
Receptacles and the PowerMate® on page 4 →



RPI Part #RPR583

AC INLET RECEPTACLE

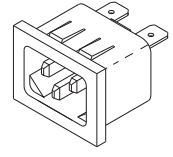
- 15A@250V
- 1/4" quick connect tabs
- Fits panel cut-out: .787" x 1.083" (20mm x 27.5 mm); .134" dia. (3.4mm) @ 1.575" (40mm)



RPI Part #RPR290

SNAP-IN AC RECEPTACLE

- 15A@250V
- 1/4" quick connect tabs
- Fits panel cut-out: .787" x 1.083" (20mm x 27.5 mm); .060" (1.5mm) maximum panel Thk.



RPI Part #HBM011

POWER MODULE

- 15A@250V
- 1/4" quick connect tabs
- Fits panel cut-out: .787" x 1.083" (20mm x 27.5 mm); .079" (2mm) maximum panel Thk.

RPI carries the PowerMATE®

The only UL approved pole-mountable power tap for use in Patient Care areas!

RPI Part #RPP474

PowerMATE®

- Certified to UL Standard 1363A - for use in patient care areas.
- The 15 ft. power cord increases the mobility of the devices connected to the unit and helps eliminate extra power cord clutter.
- Three dual, hospital grade receptacles mounted in an angled surface allows for multiple AC adapters.
- Features a green power-on indicator on the surface of the unit.
- Unit and plugged in devices are protected by a 15-amp circuit breaker.
- The outlet module mounts on a pole (up to 1.5" in diameter), cart, or mobile flat surface. For indoor use only.
- Features a drip guard for mounting on an IV pole.
- A special nut on the thumbscrew can be tightened to lock the unit onto a pole, or an included locking screw cap can be used to secure the unit on a flat surface to prevent it from being easily moved.



ELIMINATE CORD CLUTTER – Mount unit on a pole or mobile flat surface!

POLE MOUNT

Simply slide unit onto IV pole or the leg of a cart. Turn unit's thumbscrew to secure. Tighten locking hex nut.



MOBILE FLAT SURFACE MOUNT

Simply drill holes in mobile flat surface. Install mounting screws. Align unit's keyholes with mounting screws to secure. Install Hinged Screw Cover and snap it closed.



RPI is your Best Source for Hospital and Industrial Grade Power Cords!

ADDRESS SERVICES REQUESTED

20338 Corisco Street • Chatsworth, California • 91311

replacement parts industries, inc.



PRESORTED STANDARD
U.S. POSTAGE PAID
VAN NUYS, CA
PERMIT NO. 2399