


Models: Cascade 1040; Decade 1010, 1011, 1015, 1020 & 1021; Performer I, II & III; Positioner 1030; Priority 1005

More new parts to fit A-dec Dental Chairs!

NEW



ADS229

Includes all parts as shown!

RPI Part #ADK222
OEM Part #61.0030.00 (Latch) & 013-017-00 (Compression Spring)

LATCH KIT (ARMREST)

- Material: Nickel plated aluminium

Fits: Armrest Assembly
Models: Priority 1005 Chairs (Serial #M1-0001 thru present)

Part also sold separately:

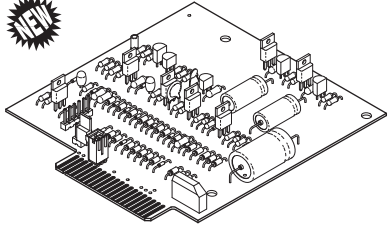
RPI Part #ADS229 **NEW**
OEM Part #013-017-00

COMPRESSION SPRING - 10/pkg

- Material: Stainless steel
- .243" OD x .500" lg x .022" dia wire

Fits: Latch Kit (Armrest)

NEW



RPI Part #ADB203
OEM Part #61.0688.00, 61-0833-00 & 61-0616-00

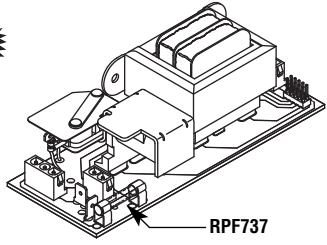
CIRCUIT BOARD ('A' BOX)

- RPI added jumper system for LK 1 to disable the pre-position functions
- RPI Advantage: Header system is added to the test points for easy testing of chair functions

Fits: "A" Box
Models: Priority 1005 Chairs (Serial #M1-0001 thru present)

RPI ADVANTAGE!
Header System is added to the test points for easy testing of chair functions.

NEW



RPI Part #ADB219
OEM Part #61.0645.00

CIRCUIT BOARD ('B' BOX)

- 100/120 VAC

Fits: "B" Box
Models: Priority 1005 Chairs (Serial #M1-0001 thru present)

Part also sold separately:

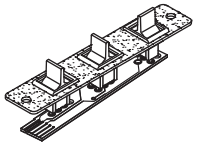
RPI Part #RPF737 **NEW**
OEM Part #046-070-00

FUSE (0.6A, 250V) - 5/pkg

- Type: Glass; 3AG Time Delay
- Size: 1/4" dia. x 1-1/4" lg

Fits: Circuit Board "B" Box

NEW



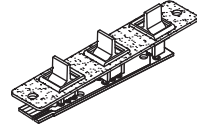
RPI Part #ADA213
OEM Part #61.0625.00

SWITCH ASSY (PADDLES LT)

- Left side only, pre-position
- 3 black paddle switches

Fits: Backrest Assembly (left side only)
Models: Priority 1005 Chairs (Serial #M1-0001 thru D3-0134)

NEW



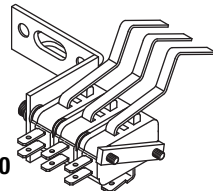
RPI Part #ADA214
OEM Part #61.0626.00

SWITCH ASSY (PADDLES RT)

- Right side only, auto return
- 3 black paddle switches

Fits: Backrest Assembly (right side only)
Models: Priority 1005 Chairs (Serial #M1-0001 thru D3-0134)

NEW



RPI Part #ADA228
OEM Part #61.0453.00

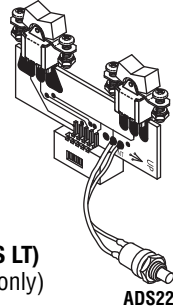
SWITCH ASSY (TILT LIMIT)

- Includes: (3) Limit Switch (Modified) (RPI Part #ADS211) - see page 3

Fits: Chair Seat Assembly
Models: Priority 1005 Chairs (Serial #H3-0068 thru present)

NEW

Includes all parts as shown and mounting hardware



RPI Part #ADA216
OEM Part #61.0661.01 & 61.0656.01

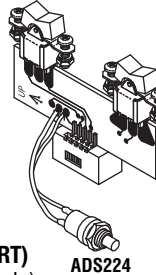
SWITCH ASSY (ROCKERS LT)

- Pre-position (left side only)
- White rocker switches

Fits: Backrest Assembly (left side only)
Models: Priority 1005 Chairs (Serial #D3-0135 thru present)

NEW

Includes all parts as shown and mounting hardware



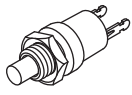
RPI Part #ADA215
OEM Part #61.0661.00 & 61.0656.00

SWITCH ASSY (ROCKERS RT)

- Auto return (right side only)
- White rocker switches

Fits: Backrest Assembly (right side only)
Models: Priority 1005 Chairs (Serial #D3-0135 thru present)

NEW



RPI Part #ADS224
OEM Part #041.059.00

SWITCH (BLACK; PUSH-BUTTON)

- 5A @ 120VAC, 2.5A @ 220VAC
- SPST; Momentary; N.O.

Fits: Switch Assembly
Models: Priority 1005 Chairs (Serial #D3-0135 thru present)



replacement parts industries, inc.

CALL (800) 221-9723 • FAX (818) 882-7028 • EMAIL order@riparts.com • WEBSITE www.riparts.com

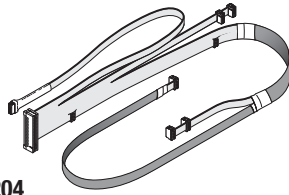
The above parts are manufactured by Replacement Parts Industries, Inc. to fit A-dec equipment. All product names used in this document are trademarks or registered trademarks of their respective holders. Web 04/11

Dental Equipment

Models: Cascade 1040; Decade 1010, 1011, 1015, 1020 & 1021; Performer I, II & III; Positioner 1030; Priority 1005



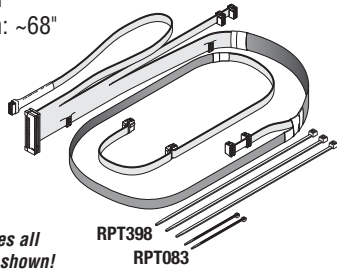
Overall Length: ~46"



RPI Part #ADC204
OEM Part #61.0612.00

CABLE ASSY (MAIN)
Models: Priority 1005 Chairs
(Serial #M1-0001 thru D3-0134)

Overall Length: ~68"



Includes all parts as shown!

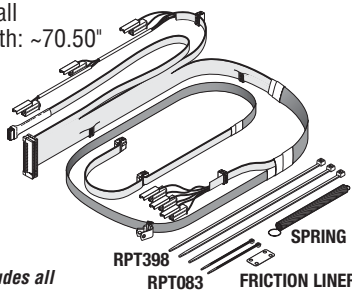
RPI Part #ADC207
OEM Part #61.0599.00

CABLE ASSY (MAIN)
Models: Priority 1005 Chairs
(Serial #D3-0135 thru H3-0067)

Parts also sold separately:
RPI Part #RPT083 (No OEM Part # Available)
CABLE TIES - (4" White) - 25/pkg

RPI Part #RPT398 (No OEM Part # Available)
CABLE TIES - (12" Gray) - 25/pkg

Overall Length: ~70.50"



Includes all parts as shown!

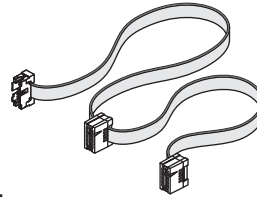
RPI Part #ADK208
OEM Part #61.0668.00

CABLE ASSY (MAIN COMPLETE)
Models: Priority 1005 Chairs
(Serial #H3-0068 thru present)

Parts also sold separately:
RPI Part #RPT083 (No OEM Part # Available)
CABLE TIES - (4" White) - 25/pkg

RPI Part #RPT398 (No OEM Part # Available)
CABLE TIES - (12" Gray) - 25/pkg

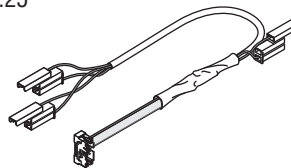
Overall Length: ~24"



RPI Part #ADC205
OEM Part #61.0624.00

CABLE ASSY (CTRL SWITCHES)
Fits: Chair Back Assembly
Models: Priority 1005 Chairs
(Serial #M1-0001 thru D3-0134)

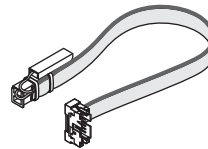
Overall Length: ~18.25"



RPI Part #ADC206
OEM Part #61.0613.00

CABLE ASSY (LIFT LIMIT)
Fits: Base Assembly
Models: Priority 1005 Chairs
(Serial #M1-0001 thru H3-0067)

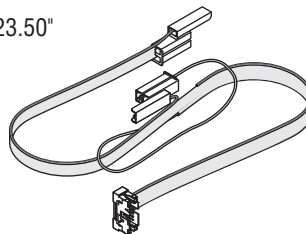
Overall Length: ~12.50"



RPI Part #ADC209
OEM Part #61.0693.00

CABLE (PRE-POSITION BASE)
Fits: Connects the Main Cable to Lift Pre-Position Assembly (OEM Part #61.0593.00)
Models: Priority 1005 Chairs
(Serial #H3-0068 thru present)

Overall Length: ~23.50"



RPI Part #ADC210
OEM Part #61.0614.00

CABLE ASSY (STOP PLATE)
Fits: Base Assembly
Models: Priority 1005 Chairs
(Serial #M1-0001 thru present)

LIFT & TILT CYLINDERS

RPI Part #ADC177 - TILT CYLINDER
OEM Part #61-2050-00
Models: Cascade 1040 Chairs

RPI Part #ADC176 - LIFT CYLINDER KIT
OEM Part #61-1287-00
Models: Cascade 1040; Decade 1010, 1011, 1015, 1020 & 1021 Chairs

RPI Part #ADC178 - TILT CYLINDER
OEM Part #61-1267-00
Models: Decade 1010, 1011, 1015, 1020 & 1021 Chairs

RPI Part #ADC174 - TILT CYLINDER KIT
OEM Part #61-0860-00
Models: Priority 1005 Chairs

RPI Part #ADC175 - LIFT CYLINDER KIT
OEM Part #61-0850-00
Models: Priority 1005 Chairs

HYDRAULIC FLUID

RPI Part #RPF449 - HYDRAULIC FLUID - 16 oz.
OEM Part #61-0197-00
Models: Used in most hydraulic dental chairs

Also sold by the Case (RPI Part #RPF453) with (12) 16 oz. bottles per case.

SLEEVE CLAMP & SLEEVE TOOLS

Cascade, Decade, Performer, Positioner & Priority

RPI Part #ADC035 - SLEEVE CLAMP - 20/Pkg
OEM Part #025-015-01

RPI Part #RPT295 - 1/4" SLEEVE TOOL
OEM Part # (No OEM Part # Available)

RPI Part #RPT296 - UNIVERSAL SLEEVE TOOL
OEM Part # (No OEM Part # Available)

O-RINGS

RPI Part #	OEM Part #	Fits Manifold Assembly Part
RP0303	030-012-00	Check Valve Tube Fitting (1 & 2) Elbow Flare Fitting (1)
RP0305	030-010-00	Block Separators (1 & 2)
RP0312	030-004-00	Screw-Flow Adjust (1 & 2) Check Valve Stem (2)
RP0317	030-016-00	Pressure Relief Valve (1)

(1) Fits Chairs (Serial # M1-0001 thru L3-0200)
(2) Fits Chairs (Serial # L3-0201 thru present)

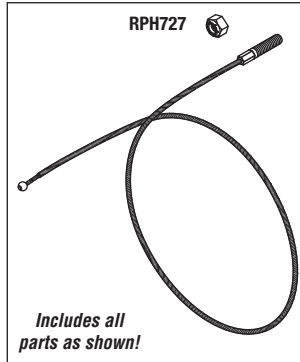


Models: Cascade 1040; Decade 1010, 1011, 1015, 1020 & 1021; Performer I, II & III; Positioner 1030; Priority 1005

RPI Part #ADC226
OEM Part #61.0025.00 (Cable)
 & **006.023.00 (Nut)**

BRAKE CABLE
Fits: Swivel and Brake Assembly
Models: Priority 1005 Chairs
 (Serial #M1-0001 thru H3-0067)

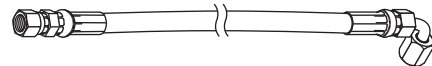
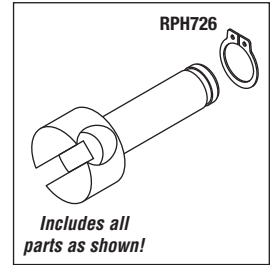
Part also sold separately:
RPI Part #RPH727 (OEM PART #006.023.00)
HEX NUT (1/4-20) - 10/pkg
 • Stainless Steel with Nylon® Insert



RPI Part #ADM225
OEM Part #61.0081.00 (Mount)
 & **010.028.00 (Retaining Ring)**

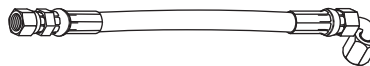
MOUNT (BRAKE CABLE)
Fits: Swivel and Brake Assembly
Models: Priority 1005 Chairs
 (Serial #M1-0001 thru H3-0067)

Part also sold separately:
RPI Part #RPH726 (OEM PART #010.028.00)
RETAINING RING (EXT) - 10/pkg



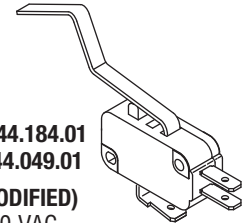
RPI Part #ADH217
OEM Part #61.0217.01

HOSE ASSY (TILT CYLINDER)
 • Length: ~44.00"
 • Fittings: 7/16-20 Flare Female x 7/16-20 Flare 90° Elbow
Fits: Tilt Cylinder
Models: Priority 1005 Chairs
 (Serial #M1-0001 thru present)



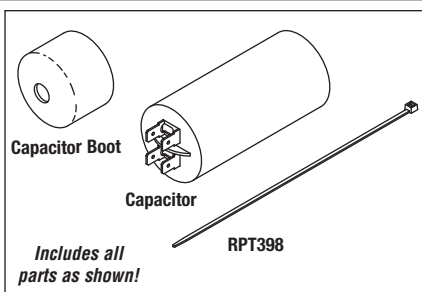
RPI Part #ADH218
OEM Part #61.0218.01

HOSE ASSY (LIFT CYLINDER)
 • Length: ~10.00"
 • Fittings: 7/16-20 Flare Female x 7/16-20 Flare 90° Elbow
Fits: Lift Cylinder
Models: Priority 1005 Chairs
 (Serial #M1-0001 thru present)



RPI Part #ADS211
New OEM Part #044.184.01
Old OEM Part #044.049.01

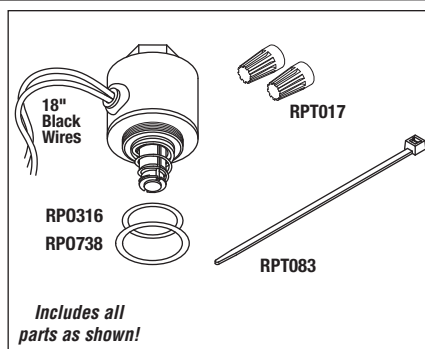
LIMIT SWITCH (MODIFIED)
 • 15.1A @ 125/250 VAC
Fits: Various positions and chairs
Models: Cascade 1040; Decade 1010, 1011, 1020 & 1021; Performer III; Positioner 1030; Priority 1005 Chairs



RPI Part #ADK221
OEM Part #041.164.00 & 90.1031.00

CAPACITOR KIT
 • 50uf, 280VAC, 50/60Hz
Fits: "B" Box
Models: Priority 1005 Chairs (Serial #M1-0001 to present), Cascade, Decade, Positioner & Performer III Chairs

Part also sold separately:
RPI Part #RPT398 (No OEM Part # Available)
CABLE TIES - (12" Gray) - 25/pkg



RPI Part #ADK220
OEM Part #60.0601.00

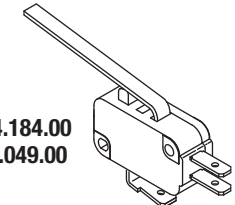
SOLENOID VALVE REPAIR KIT
 • 24 VDC; 7.4 W; Coil ~78 Ω
Fits: Manifold Assembly
Models: Priority 1005 Chairs
 (Serial #M1-0001 thru Present)

Parts also sold separately:
RPI Part #RP0316 (OEM Part #030-015-02)
O-RING -12/pkg

RPI Part #RP0738 (OEM Part #35.041.02)
O-RING -10/Pkg

RPI Part #RPT017 (No OEM Part # Available)
WIRE NUT (#22-16AWG; Insulated; Gray) - 15/pkg

RPI Part #RPT083 (No OEM Part # Available)
CABLE TIES - (4" White) - 25/pkg



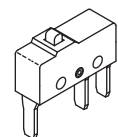
RPI Part #ADS212
New OEM Part #044.184.00
Old OEM Part #044.049.00

MICRO-SWITCH
 • 15.1A @ 125/250 VAC
Fits: Various positions and chairs
Models: Decade 1010, 1011, 1020 & 1021; Performer I, II & III



RPI Part #ADS224
OEM Part #041.059.00

SWITCH (PUSHBUTTON)
 • 5A @ 120VAC, 2.5A @ 220VAC
Fits: 8 Function Footswitch, Multi-Function Footswitch, Auto Return and Pre-position Assemblies
Models: Cascade 1040; Decade 1021; Priority 1005 Chairs (serial #D3-0135 to present)




RPI Part #ADS223
OEM Part #041.119.00

SWITCH (MINIATURE)
 • 10.1A @ 125/250VAC
Fits: 8 Function Footswitch (OEM Part #61.3043.80) 100VAC/120VAC & 240 VAC
Models: Priority 1005 Chairs
 (serial #M1-0001 to Present)

DON'T FORGET THESE PARTS ...

RPI Part #	OEM Part #	Part (What it fits)
ADS052	001-002-00	Screw (Secures Flow Adj)
ADW038	004-005-00	Flat Washer (Reservoir)
ADB011	023-001-01	Barb (Reservoir)
ADS045	013-022-00	Spring (Articulating Headrest)
ADS062	19-0230-00	Spring (Articulating Headrest)
RP0316	003-015-00	O-Ring (Articulating Headrest)
RPP032	(No OEM #)	Hosp. Gr. Male Plug (Rt. Angle)

 LIST OF RPI PARTS TO FIT A-DEC DENTAL CHAIRS			PRIORITY	DECADE	DECADE	DECADE	DECADE	DECADE	DECADE	POSITIONER	CASCADE	PERFORMER	PERFORMER	PERFORMER
RPI Part #	OEM Part #	Description	1005	1010	1011	1015	1020	1021	1030	1040	I	II	III	
ADA213	61.0625.00	Switch Assy (Paddles LT)	*											
ADA214	61.0626.00	Switch Assy (Paddles RT)	*											
ADA215	61.0661.00 & 61.0656.00	Switch Assy (Rockers RT)	*											
ADA216	61.0661.01 & 61.0656.01	Switch Assy (Rockers LT)	*											
ADA228	61.0453.00	Switch Assy (Tilt Limit)	*											
ADB011	023-001-01	Barb - 10/Pkg	•											
ADB203	61.0688.00, 61-0833-00 & 61-0616-00	Circuit Board ('A' Box)	•											
ADB219	61.0645.00	Circuit Board ('B' Box)	•											
ADC035	025-015-01	Sleeve Clamp - 20/Pkg	•	•	•	•	•	•	•	•	•	•	•	•
ADC174	61-0860-00	Tilt Cylinder Kit	•											
ADC175	61-0850-00	Lift Cylinder Kit	•											
ADC176	61-1287-00	Lift Cylinder Kit		•	•	•	•	•		•				
ADC177	61-2050-00	Tilt Cylinder								•				
ADC178	61-1267-00	Tilt Cylinder		•	•	•	•	•						
ADC204	61.0612.00	Cable Assy (Main)	*											
ADC205	61.0624.00	Cable Assy (Ctrl Switches)	*											
ADC206	61.0613.00	Cable Assy (Lift Limit)	*											
ADC207	61.0599.00	Cable Assy (Main)	*											
ADC209	61.0693.00	Cable (Pre-Position Base)	*											
ADC210	61.0614.00	Cable Assy (Stop Plate)	*											
ADC226	61.0025.00 (cable) & 006.023.00 (nut)	Brake Cable	*											
ADH217	61.0217.01	Hose Assy (Tilt Cylinder)	•											
ADH218	61.0218.01	Hose Assy (Lift Cylinder)	•											
ADK208	61.0668.00	Cable Assy (Main Complete)	*											
ADK220	60.0601.00	Solenoid Valve Repair Kit	•											
ADK221	041.164.00 & 90.1031.00	Capacitor Kit	•	•	•	•	•	•	•	•			•	
ADK222	61.0030.00 (latch) & 013-017-00 (compression spring)	Latch Kit (Armrest)	•											
ADM225	61.0081.00 (mount) & 010.028.00 (retaining ring)	Mount (Brake Cable)	*											
ADS045	013-022-00	Conical Compression Spring - 10/Pkg	•											
ADS052	001-002-00	Truss Head Slotted Screw - 10/Pkg	•											
ADS062	19-0230-00	Helical Compression Spring - 10/Pkg	•											
ADS211	044.184.01 & 044.049.01	Limit Switch (Modified)	•	•	•		•	•	•	•				•
ADS212	044.184.00 & 044.049.00	Micro-Switch		•	•		•	•			•	•	•	
ADS223	041.119.00	Switch (Miniature)	•											
ADS224	041.059.00	Switch (Push-Button)	*					•		•				
ADS229	013.017.00	Compression Spring - 10/Pkg	•											
ADW038	004-005-00	Flat Washer - 50/Pkg	•											
RPF449	61-0197-00	Hydraulic Fluid - 16oz. Bottle	•	•	•	•	•	•	•	•	•	•	•	•
RPF453	61-0197-00	Hydraulic Fluid (Case - 12 bottles)	•	•	•	•	•	•	•	•	•	•	•	•
RPF737	046-070-00	Fuse (0.6A, 250V) - 5/Pkg	•											
RPH726	010.028.00	Retaining Ring (External) - 10/Pkg	*											
RPH727	006.023.00	Nut, Hex (1/4-20) - 10/Pkg	•											
RPO303	030-012-00	O-Ring - 12/Pkg	•											
RPO305	030-010-00	O-Ring - 12/Pkg	•	•	•	•	•	•						
RPO312	030-004-00	O-Ring - 12/Pkg	•	•	•	•	•	•						
RPO316	030-015-00	O-Ring - 12/Pkg	*											
RPO317	030-016-00	O-Ring - 12/Pkg	•	•	•	•	•	•						
RPO738	35.041.02	O-Ring - 10/Pkg	*											
RPP032	No OEM # Available	Hospital Grade Male Plug (Right Angle)	•	•	•	•	•	•	•	•	•	•	•	•
RPT017	No OEM # Available	Wire Nut - 15/Pkg	•	•	•	•	•	•	•	•	•	•	•	•
RPT083	No OEM # Available	Cable Tie (4" White) - 25/Pkg	•	•	•	•	•	•	•	•	•	•	•	•
RPT295	No OEM # Available	1/4" Sleeve Tool	•	•	•	•	•	•	•	•	•	•	•	•
RPT296	No OEM # Available	Universal Sleeve Tool	•	•	•	•	•	•	•	•	•	•	•	•
RPT398	No OEM # Available	Cable Tie (12" Gray) - 25/Pkg	•	•	•	•	•	•	•	•	•	•	•	•

* This part does not fit all serial numbers within the stated model, please find the detailed part description inside this flyer or see our website www.rpiparts.com for serial number breakdowns.



replacement parts industries, inc.

CALL (800) 221-9723 • FAX (818) 882-7028 • EMAIL order@rpiparts.com • WEBSITE www.rpiparts.com