

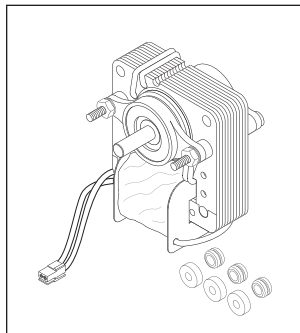


# Dental Film Processors & X-Ray Units

INTRODUCING MORE NEW PARTS TO FIT

## GENDEX GXP™ FILM PROCESSORS & X-RAY UNITS

### FILM PROCESSORS

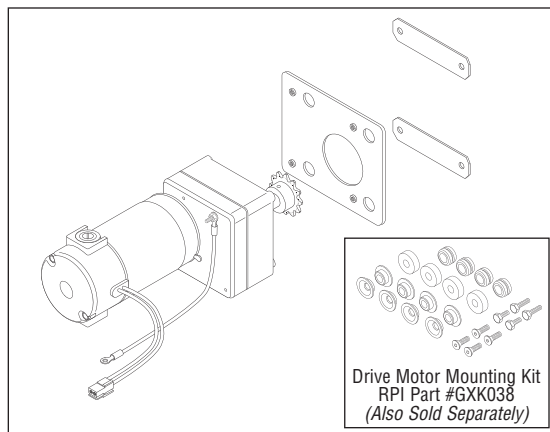


**RPI Part #GXM023**  
**OEM Part #112-0531G1**

#### AGITATOR MOTOR

- 120VAC, 60 Hz.
- Impedance protected
- 1/4" dia. shaft, 3/4" lg.
- Sealed ball bearings
- Includes Motor, Connector, and (3 each) mounting grommets and spacers

**Fits:** Agitator Assembly (bottom tanks)



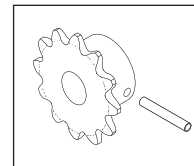
Drive Motor Mounting Kit  
RPI Part #G XK038  
(Also Sold Separately)

**RPI Part #GXM002**  
**OEM Part # 112-0534G1**

#### DRIVE MOTOR

- 90VDC
- Includes Motor, Connector, Mounting Plate, (2) Mounting Brackets, and Drive Motor Mounting Kit (RPI Part #G XK038)

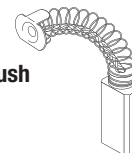
**Fits:** Bottom frame



**RPI Part #GXS003**  
**OEM Part #303-0042P1**

#### SPROCKET

- Includes Sprocket and Drive Pin
- Fits:** Main Drive Motor



**RPI Part #GXB004**  
**OEM Part #652-0015P1/Brush**

#### MOTOR BRUSH (2/pkg)

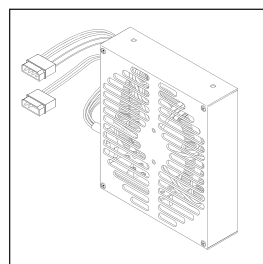
- .187" x .312" x .625"
  - Spring length: .88"
- Fits:** Main Drive Motor



**RPI Part #RPC038**  
**OEM Part #652-0015P1/Cap**

#### BRUSH CAP (6/pkg)

**Fits:** Motor Brush

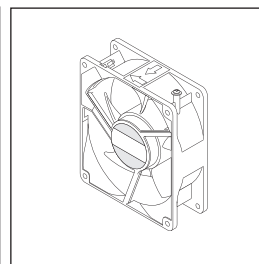


**RPI Part #GXH039**  
**OEM Part # 112-0094G1**

#### HEATER

- 4.66" square x 1.25" wide
- 120VAC, 750W; Thermally protected
- Includes Heater, Connectors, and (3 pieces) Cable Tie (RPI Part #RPT083)

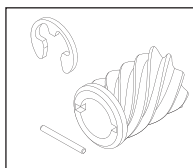
**Fits:** Heater/Fan Assembly



**RPI Part #GXF012**  
**OEM Part #652-0012P1**

#### HEATER FAN (115V)

- 115VAC
  - 4.69" square x 1.5" wide
- Fits:** Heater/Fan Assembly



**RPI Part #G XK006**  
**OEM Part #112-0635G1**

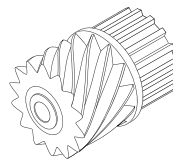
#### HELICAL GEAR KIT

- Includes black plastic gear with stainless steel roll pin and E-ring
- Fits:** Drive Shaft

**RPI Part #G XG007**  
**OEM Part #303-0015P1**

#### DRIVE GEAR

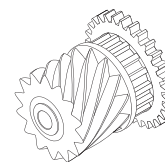
- Black plastic helical/pulley gear
- Fits:** Developer, Fixer, and Washer Racks



**RPI Part #G XG008**  
**OEM Part #115-0579G1**

#### DRIVE GEAR

- Black plastic helical/pulley/spur gear
- Fits:** Dryer Racks



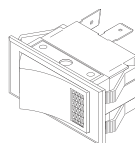
### X- RAY UNITS

**RPI Part #GXS016**  
**OEM Part #632-0031P1**

#### POWER SWITCH

- 15A @ 125VAC; On/Off
- Panel Mount; White body/Amber lens
- 1/4" Quick disconnect terminals

**Fits:** Control Panel **Model:** GX-770™ Intraoral

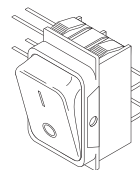


**RPI Part #GXS017**  
**OEM Part #632-0084P2**

#### POWER SWITCH

- 16A @ 125VAC; On/Off
- PCB Mount; Black body

**Fits:** Control Panel **Model:** 765 DC Intraoral

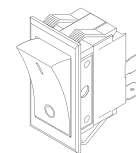


**RPI Part #GXS018**  
**OEM Part #632-004P1**

#### POWER SWITCH

- 15A @ 125VAC; On/Off
- Panel Mount; Black body
- 1/4" Quick disconnect terminals

**Fits:** Control Panel **Model:** Orthoralix® Panoramic



replacement parts industries, inc.

CALL (800) 221-9723 • FAX (818) 882-7028 • EMAIL [order@riparts.com](mailto:order@riparts.com) • WEBSITE [www.riparts.com](http://www.riparts.com)

The above parts are manufactured by Replacement Parts Industries, Inc. to fit Gendex equipment. All product names used in this document are trademarks or registered trademarks of their respective holders. WEB Flyer 09/07