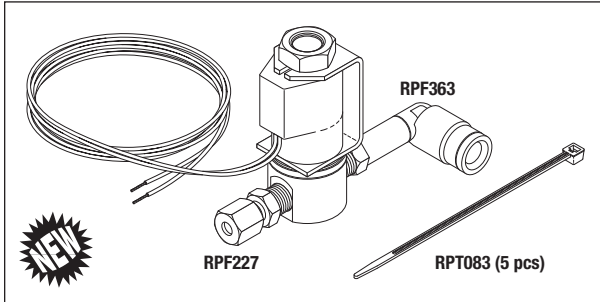


Models: STATIM® 2000, STATIM® 5000, STATIM® G4 2000 & STATIM® G4 5000



**NEW PARTS TO FIT**  
**SCICAN STATIM® CASSETTE AUTOCLAVES**  
**INCLUDING THE 2000, 5000 & G4 SERIES!**



**RPI Part #SCV064**  
**OEM Part #01-100557S / 01-101628S**

**SOLENOID VALVE**

- Ports: 1/8" FPT; 2 Way; N.C.
- 120/110VAC, 50/60 Hz., 9 W; 23-1/2" lg. #22 AWG teflon wires
- Material: Stainless steel body, viton seals
- Includes all parts as shown

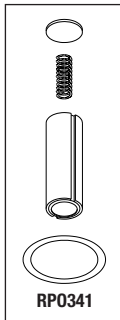
**Fits:** Bracket Assembly

**Models:** Statim 2000, Statim 5000, Statim G4 2000 and Statim G4 5000

**RPI Part #SCK003**  
**OEM Part #01-100998S**

**SOLENOID VALVE REPAIR KIT**

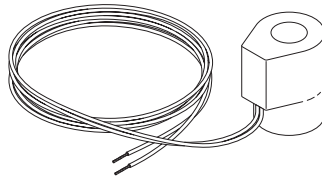
- Includes all parts as shown
- Fits:** RPI and the OEM's Solenoid Valve  
**Models:** Statim 2000, Statim 5000, Statim G4 2000 and Statim G4 5000



**RPI Part #SCC005**  
**OEM Part #01-104303S**

**COIL (SOLENOID VALVE)**

- 120/110VAC, 50/60 Hz., 9 W; 23-1/2" lg. #22 AWG teflon wires
- Fits:** RPI and the OEM's Solenoid Valve  
**Models:** Statim 2000, Statim 5000, Statim G4 2000 and Statim G4 5000



**IT'S BACK!**

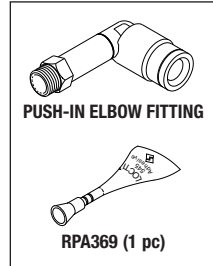
**SERVICE TIP:** To avoid damaging the solenoid valve flute/bonnet, it is recommended to use the Spanner Nut (RPI Part #RPT364) or the Double Ended Spanner Wrench (RPI Part #RPT501)

**RPI Part #RPF363**  
**OEM Part #01-100782S**

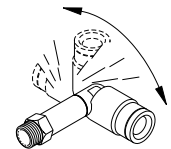
**PUSH-IN ELBOW FITTING**

- 1/8" MPT; 1/4" OD tubing
- Material: Nickel plated brass
- Extended swivel elbow
- Includes all parts as shown

**Fits:** Solenoid Valve, Port No. 1 (Exhaust)  
**Models:** Statim 2000, Statim 5000, Statim G4 2000 and Statim G4 5000



**LOOK!**  
**EXTENDED SWIVEL ELBOW**

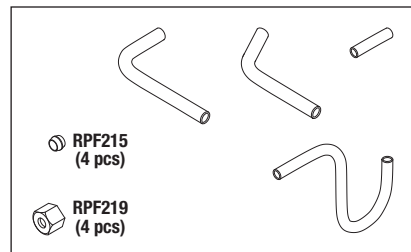


**THE RPI ADVANTAGE**

The RPI Push-In Elbow Fitting (RPI Part #RPF363) swivels! You can position the tubing where YOU want it. Plus, it prevents kinks in the exhaust tubing.

**IMPORTANT NOTE REGARDING RPI PART #RPF363**

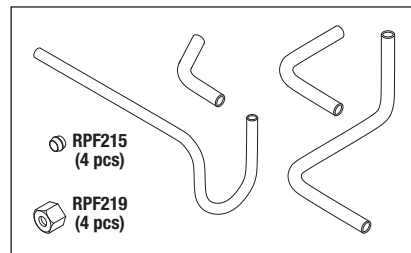
The Push-In Elbow Fitting (RPI Part #RPF363) will not function properly with the OEM Teflon® Tubing. Only use with Nylon® Tubing (RPI Part #RPT380).



**RPI Part #SCK048**  
**OEM Part #01-109128S**

**COPPER TUBING KIT**

- Includes all parts as shown
- Fits:** Probe Bracket to Boiler, Solenoid Valve and Alex Upgrade Kit  
**Models:** Statim 2000 and Statim G4 2000



**RPI Part #SCK049**  
**OEM Part #01-109129S**

**COPPER TUBING KIT**

- Includes all parts as shown
- Fits:** Probe Bracket to Boiler, Solenoid Valve and Alex Upgrade Kit  
**Models:** Statim 5000 and Statim G4 5000

**For more information about the parts listed in this flyer, see our website [www.rpiparts.com](http://www.rpiparts.com)**



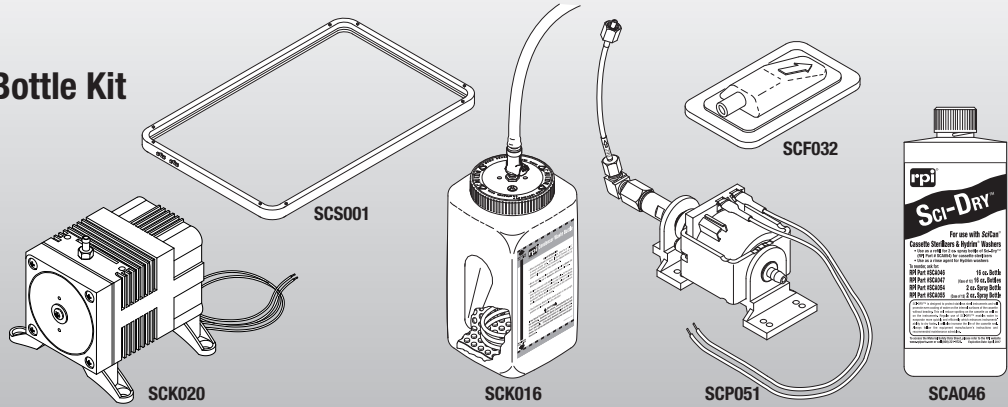
**replacement parts industries, inc.**

CALL (800) 221-9723 • FAX (818) 882-7028 • EMAIL [order@rpiparts.com](mailto:order@rpiparts.com) • WEBSITE [www.rpiparts.com](http://www.rpiparts.com)

The above parts are manufactured by Replacement Parts Industries, Inc. to fit SciCan STATIM® equipment. All product names used in this document are trademarks or registered trademarks of their respective holders. Show 04/16

# RPI IS YOUR SOURCE FOR PARTS TO FIT SCICAN STATIM® 2000, 5000 & G4 SERIES CASSETTE AUTOCLAVES!

- Cassette Seals
- Condenser Waste Bottle Kit
- Filters
- Pumps
- Sci-Dry™
- and many more!



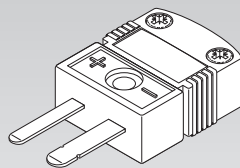
FOR A COMPLETE LIST OF PARTS TO FIT SCICAN STATIM® CASSETTE AUTOCLAVES, GO TO [WWW.RPIPARTS.COM](http://WWW.RPIPARTS.COM)

## New Parts to fit Scican Statim® 2000, 5000, and G4 Series Cassette Autoclaves!

ADDRESS SERVICES REQUESTED

PERMIT NO. 2399  
VAN NUYS, CA  
U.S. POSTAGE PAID  
PRESORTED STANDARD

**rpi!**  
20338 Corisco Street • Chatsworth, California • 91311  
replacement parts industries, inc.



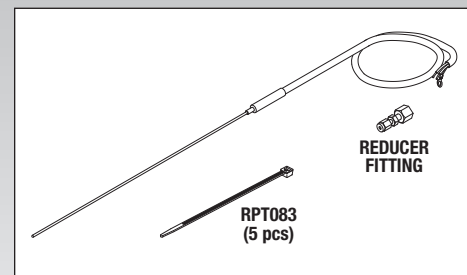
**RPI Part #RPP943**  
**OEM Part #** (No OEM Part # Available)

### THERMOCOUPLE PLUG

- Use with Type K thermocouples
- Two male flat pin plug; Glass filled Nylon®; Shell color yellow
- Rated at -29°C to 180°C
- Accepts stranded or solid wire up to #20 AWG
- Write-on window to help ID the thermocouple position

**Fits:** For use with PCB's that have Thermocouple Plug Connections

**Models:** Statim 2000, Statim 5000, Statim G4 2000 and Statim G4 5000



**RPI Part #SCT030**  
**OEM Part #** (No OEM Part # Available)

### THERMOCOUPLE

- ~6 - 6.5 Ω at room temperature
- Type K thermocouple
- Includes all parts as shown
- Included in: Probe Bracket Kit (RPI Part #SCK038) and Probe Bracket Kit (RPI Part #SCK042)

**Fits:** Probe Bracket to PCB

**Models:** Statim 2000, Statim 5000, Statim G4 2000 and Statim G4 5000