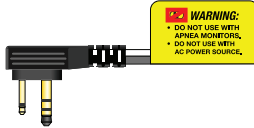
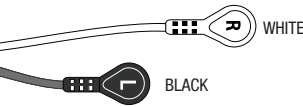

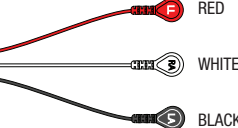
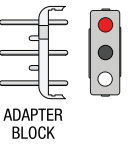
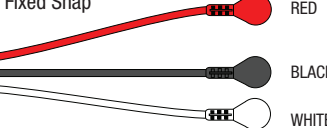
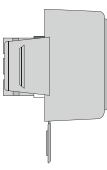

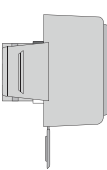
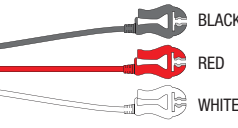

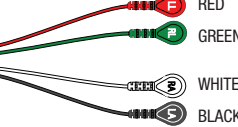

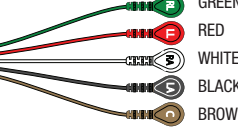
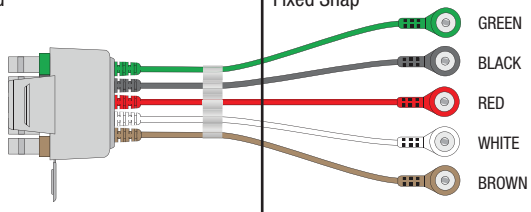
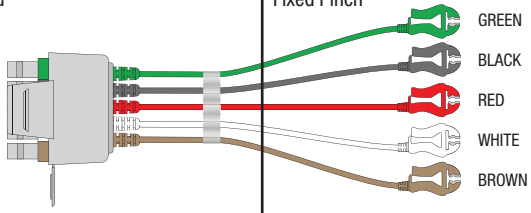


TELEMETRY CABLES

RPI PART #	DESCRIPTION	# OF LEADS	LENGTH	EQUIPMENT END	PATIENT END	NOTES
KBB001	TELEMETRY CABLE - 2 LEAD SNAP	2	~32"	Dual Phono Plug 90-Deg 	Fixed Snap 	
KCB028	TELEMETRY CABLE - 3 LEAD SNAP	3	~27"	7-Socket Jumper 1 to 5 	Fixed Snap 	<ul style="list-style-type: none"> • Also available: 3 Lead Organizer (RPI Part #LAR004)
KCB029	TELEMETRY CABLE - 3 LEAD SNAP	3	~30"	3-Lead Safety Block  ADAPTER BLOCK	Fixed Snap 	<ul style="list-style-type: none"> • This cable replaces RPI Part #HPC008 • Includes Adapter Block • Also available: 3 Lead Organizer (RPI Part #LAR004)
KCB031	TELEMETRY CABLE - 3 LEAD SNAP	3	~30"	Dual/Shielded 	Fixed Snap 	<ul style="list-style-type: none"> • OEM Part #M2590A • Includes: 3 Lead Organizer (RPI Part #LAR004)
KCB032	TELEMETRY CABLE - 3 LEAD PINCH	3	~30"	Dual/Shielded 	Fixed Pinch 	<ul style="list-style-type: none"> • OEM Part #M2591A • Includes: 3 Lead Organizer (RPI Part #LAR004)
KDB002	TELEMETRY CABLE - 4 LEAD SNAP	4	~27"	7-Socket 	Fixed Snap 	<ul style="list-style-type: none"> • Also available: 5 Lead Organizer (RPI Part #LAR005)
KEB015	TELEMETRY CABLE - 5 LEAD SNAP	5	~24"	7-Socket 	Fixed Snap 	<ul style="list-style-type: none"> • Also available: 5 Lead Organizer (RPI Part #LAR005)

TELEMETRY CABLES *(Continued)*

RPI PART #	DESCRIPTION	# OF LEADS	LENGTH	EQUIPMENT END	PATIENT END	NOTES
KEB018	TELEMETRY CABLE - 5 LEAD SNAP	5	~30"	Dual/Shielded	Fixed Snap  GREEN BLACK RED WHITE BROWN	<ul style="list-style-type: none"> • OEM Part #M2592A • Includes: 5 Lead Organizer (RPI Part #LAR005)
KEB019	TELEMETRY CABLE - 5 LEAD PINCH	5	~30"	Dual/Shielded	Fixed Pinch  GREEN BLACK RED WHITE BROWN	<ul style="list-style-type: none"> • OEM Part #M2592A • Includes: 5 Lead Organizer (RPI Part #LAR005)