

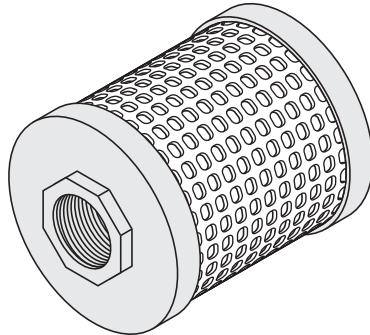


**replacement parts industries, inc.**

CALL (800) 221-9723 • FAX (818) 882-7028 • EMAIL [order@rpiparts.com](mailto:order@rpiparts.com) • WEBSITE [www.rpiparts.com](http://www.rpiparts.com)

**RPI Part #CSP038**  
**OEM Part #61301602091**  
**PM PKG (FILTER & SCREEN)**  
• Includes all parts as shown  
**Fits:** Machine in general  
**Models:** 3522, 3523, 3525 & 3533

**RPI Part #CSP038**  
**PM Package to fit**  
**Castle/Getinge® Bulk Sterilizers**



**RPI Part #CSF052**  
**OEM Part #61301600303**  
**FILTER, AIR-IN**

**(2x)**

**RPI Part #CSS053**  
**OEM Part #43907**  
**SCREEN FILTER**

