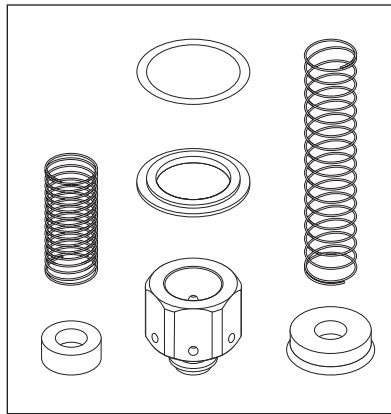


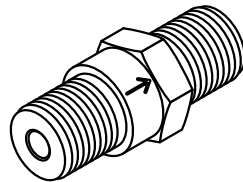


RPI Part #CSP040  
OEM Part #61301602092  
PM PKG (STM TRAP & CHK VLV)  
• Includes all parts as shown  
Fits: Machine in general  
Models: 3525

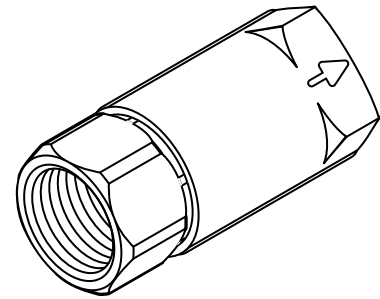
## RPI Part #CSP040 PM Package to fit Castle/Getinge® Bulk Sterilizers



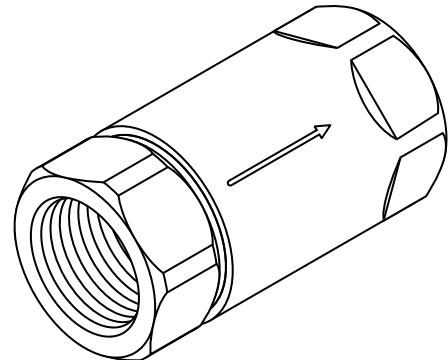
RPI Part #CSK066  
OEM Part #513369  
CHECK VALVE REBUILD KIT



RPI Part #CSV056  
OEM Part #14010  
CHECK VALVE - 1/4"



RPI Part #CSV057  
OEM Part #19114  
CHECK VALVE - 1/2"



RPI Part #CSV058  
OEM Part #08045  
CHECK VALVE - 3/4"