



replacement parts industries, inc.

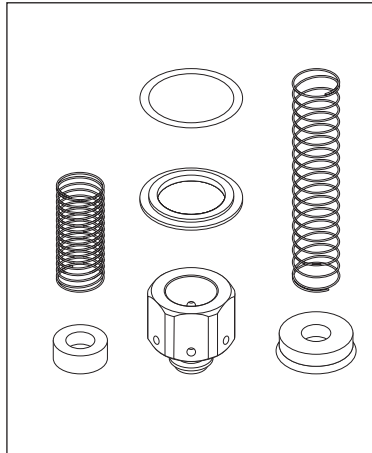
CALL (800) 221-9723 • FAX (818) 882-7028 • EMAIL order@rpiparts.com • WEBSITE www.rpiparts.com

RPI Part #CSP039
OEM Part #61301602087
PM PKG (STM TRAP & CHK VLV)
• Includes all parts as shown
Fits: Machine in general
Models: 3525

RPI Part #CSP039 **PM Package to fit** **Castle/Getinge® Bulk Sterilizers**

(3x)

RPI Part #CSK066
OEM Part #513369
CHECK VALVE REBUILD KIT



(2x)

RPI Part #CST059
OEM Part #61301602492
STEAM TRAP

