



replacement parts industries, inc.

CALL (800) 221-9723 • FAX (818) 882-7028 • EMAIL order@rpiparts.com • WEBSITE www.rpiparts.com

RPI Part #CSP069

OEM Part # *(No OEM Part # Available)*

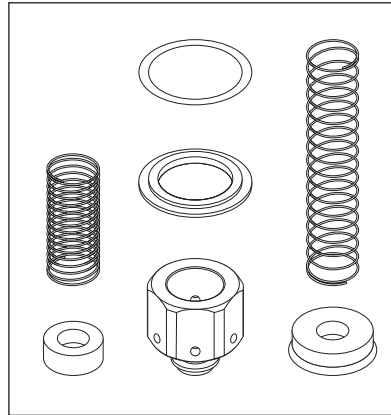
PM PKG (STM TRAP & CHK VLV)

• Includes all parts as shown

Fits: Machine in general

Models: 3522, 3523, 3525 & 3533

RPI Part #CSP069 PM Package to fit Castle/Getinge® Bulk Sterilizers

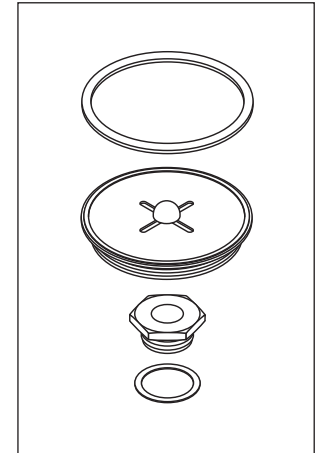


(3x)

RPI Part #CSK066

OEM Part #513369

CHECK VALVE REBUILD KIT



RPI Part #CSK067

OEM Part # *(No OEM Part # Available)*

STEAM TRAP REBUILD KIT